



**RUDNICI MRKOG UGLJA «BANOVICI» d.d. BANOVICI**

**Ulica Armije BiH 52, 75290 Banovići; Bosna i Hercegovina;**

**Telefoni-Centrala: 00387 35 870-600; 875-010; Fax: 00387 35 875-166**

Rješenje Kantonalnog suda Tuzla br: U/I-0891/98.

ID PDV broj: 209329530001

Identifikacijski broj: 4209329530001

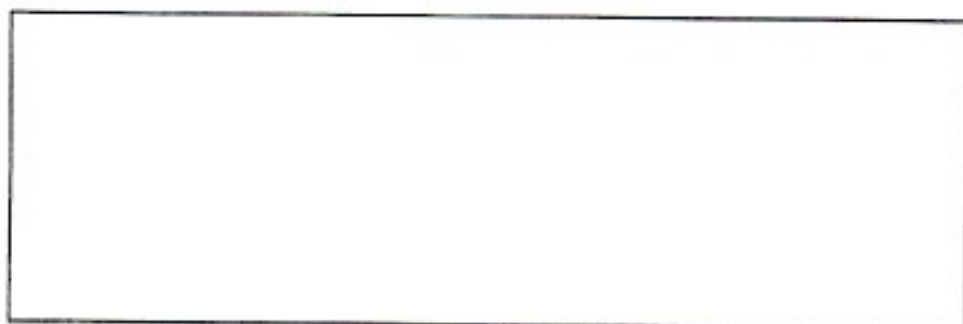
Porezni broj: 03421100

[www.rmub.ba](http://www.rmub.ba)



Broj: I - 143 /24

Banovići, 23.04 2024. godine



## ZAHTJEV ZA DOSTAVLJANJE PONUDA

U prilogu akta dostavljamo Vam Obrazac za cijenu ponude za robu pod nazivom:  
**Rezervni dijelovi za viljuškar Hyster tip: H5.OFT; tvorničkog broja U005B03167R snage 55 Kw; Dizelski motor Kubota 3,8 l tip:V3800-CR-T-EU2** u svrhu provjere tržišta.

Zainteresovani ponuđači dostavljaju uredno popunjen obrazac za cijenu ponude iz priloga ovog zahtjeva do određenog roka na e-mail Ugovornog organa: [dzevad.rmu@gmail.ba](mailto:dzevad.rmu@gmail.ba)

Rok za dostavljanje ponude je 30.04 2024. godine do 12 sati.

Ponudu odnosno uredno popunjen obrazac iz priloga zahtjeva dostaviti na adresu na e-mail: [dzevad.rmu@gmail.com](mailto:dzevad.rmu@gmail.com) sa pozivom na broj Zahtjeva za dostavu ponuda I-143/24 i nazivom predmeta nabavke.

**Kontakt telefon / fax: 035 / 870 – 254.**

S poštovanjem!

**Predsjednik komisije za javne nabavke**

Edis Softić, dipl.ecc

### Transakcijski računi:

161 0250 007 190075 Raiffeisen bank d.d. BiH, filijala Tuzla  
132 1300 309 179345 NLB Banka d.d. Tuzla, filijala Banovići  
187 2000 000 044917 Postbank BH d.d. Sarajevo, filijala Živinice  
154 3602 003 310866 Intesa Sanpaolo banka d.d. BiH  
555 0530 049 467130 Nova banka AD Banja Luka, ekspozit. Tuzla

306 0450 000 163538 Hypo Alpe Adria bank Bosnia d.d.  
134 5801 004 382649 ASA Banka d.d. Sarajevo  
186 0001 048 962098 Turkish Ziraat bank Bosnia d.d.  
338 4402 212 197081 UniCredit banka d.d. Mostar

## OBRAZAC ZA CIJENU PONUDE

Predmet nabavke: **Rezervni dijelovi za viljuškar Hyster tip: H5.OFT; tvorničkog broja U005B03167R snage 55 Kw; Dizelski motor Kubota 3,8 l tip:V3800-CR-T-EU2**

Broj nabavke: I - \_\_\_\_\_/23

Naziv ponuđača: \_\_\_\_\_

Ponuda br. \_\_\_\_\_

Datum: \_\_\_\_\_

Red. br.	Naziv robe	Kataloški broj	Ponuđeni dio (u slučaju ponude ekvivalenta)	Jed. mjere	Količina	Proizvođač i Zemlja porijekla	Jedinična cijena bez PDV-a (navesti valutu)	Iznos bez PDV-a (navesti valutu)
1.	Uložak zračnog filtera - primarni	4068074		kom	6			
2.	Uložak zračnog filtera - zaštitni	4068075		kom	6			
3.	Filter goriva	4617767		kom	3			
4.	Filter separator voda/gorivo	4612789		kom	3			
5.	Filter motornog ulja	4042216		kom	3			
6.	Set uložak filtera hidraulike i brtve poklopca	1707195		kom	3			
7.	Set O-ringova za filter hidraulike	1708691		kom	3			
8.	Odušak rezervoara hidraulike	1582161		kom	3			
9.	Filter ulja mjenjača	4020588		kom	3			
10.	Odušak rezervoara ulja mjenjača	1632741		kom	3			
11.	Set hladnjaka ulja i rashladne tečnosti	4603551		kom	1			
<b>Ukupno bez PDV-a:</b>								
<b>Popust:</b>								
<b>Ukupna cijena sa popustom bez PDV-a:</b>								

Uslovi i način plaćanja: \_\_\_\_\_

Rok isporuke: \_\_\_\_\_

Paritet: \_\_\_\_\_

Garancija na robe: \_\_\_\_\_

Napomena:

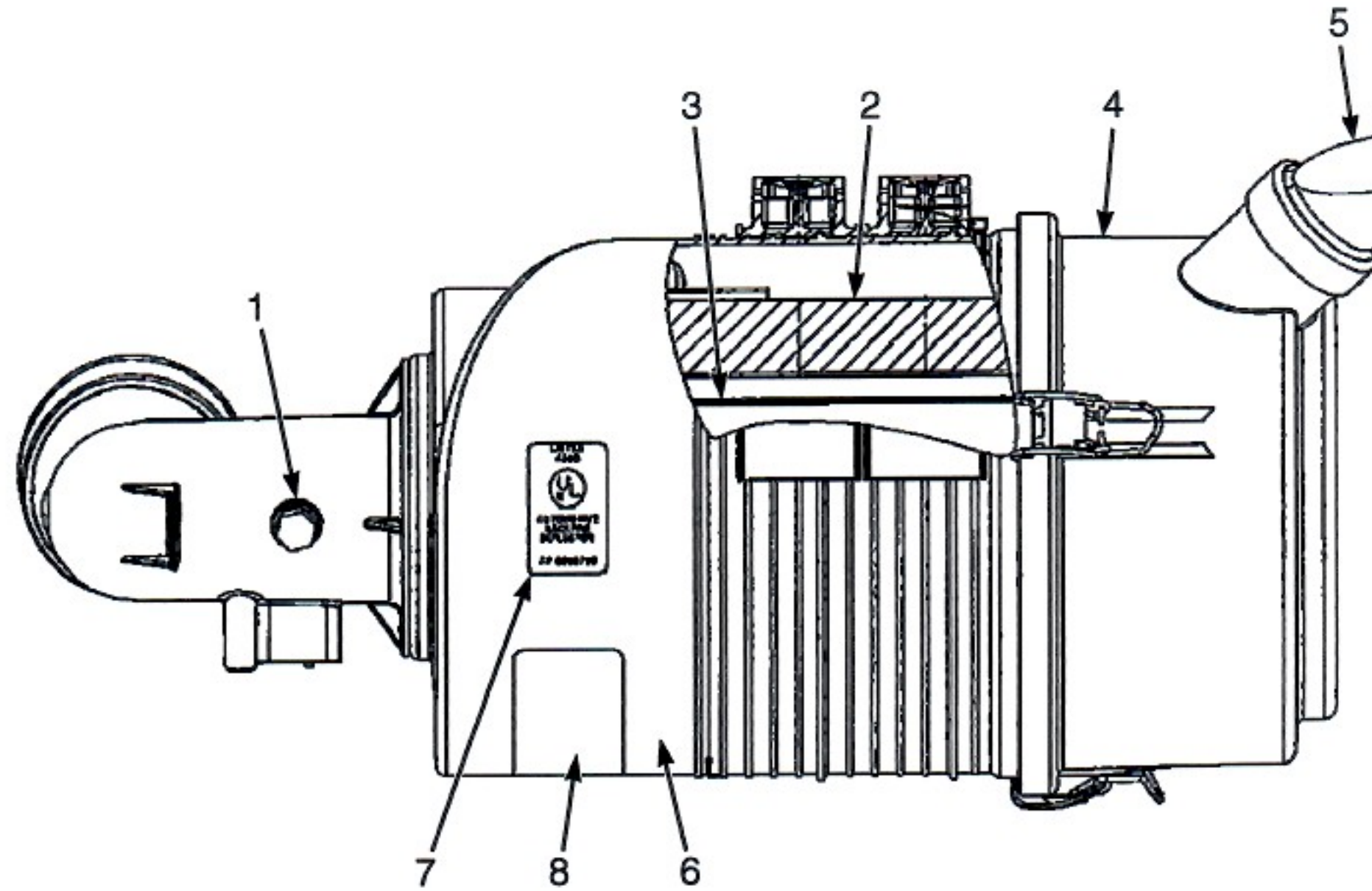
- Cijene moraju biti izražene u KM, osim inostranih ponuđača koji cijene izražavaju u valuti zemlje ponuđača. Za svaku stavku u ponudi mora se navesti cijena.
- Cijena ponude se iskazuje bez PDV-a i sadrži sve naknade koje ugovorni organ treba platiti dobavljaču. Ugovorni organ ne smije imati nikakve dodatne troškove osim onih koji su navedeni u ovom obrascu.
- U slučaju razlike između jediničnih cijena i ukupnog iznosa, ispravka će se izvršiti u skladu sa jediničnim cijenama.
- Jedinična cijena stavke se ne smatra računskom greškom, odnosno ne može se ispravljati.

Potpis ovlaštenog lica: \_\_\_\_\_

Mjesto i datum: \_\_\_\_\_

Pečat preduzeća:

**AIR FILTER ASSEMBLY (FIGURE 4-5)**  
KUBOTA DIESEL — 3.6L, 3.8L



BP130507

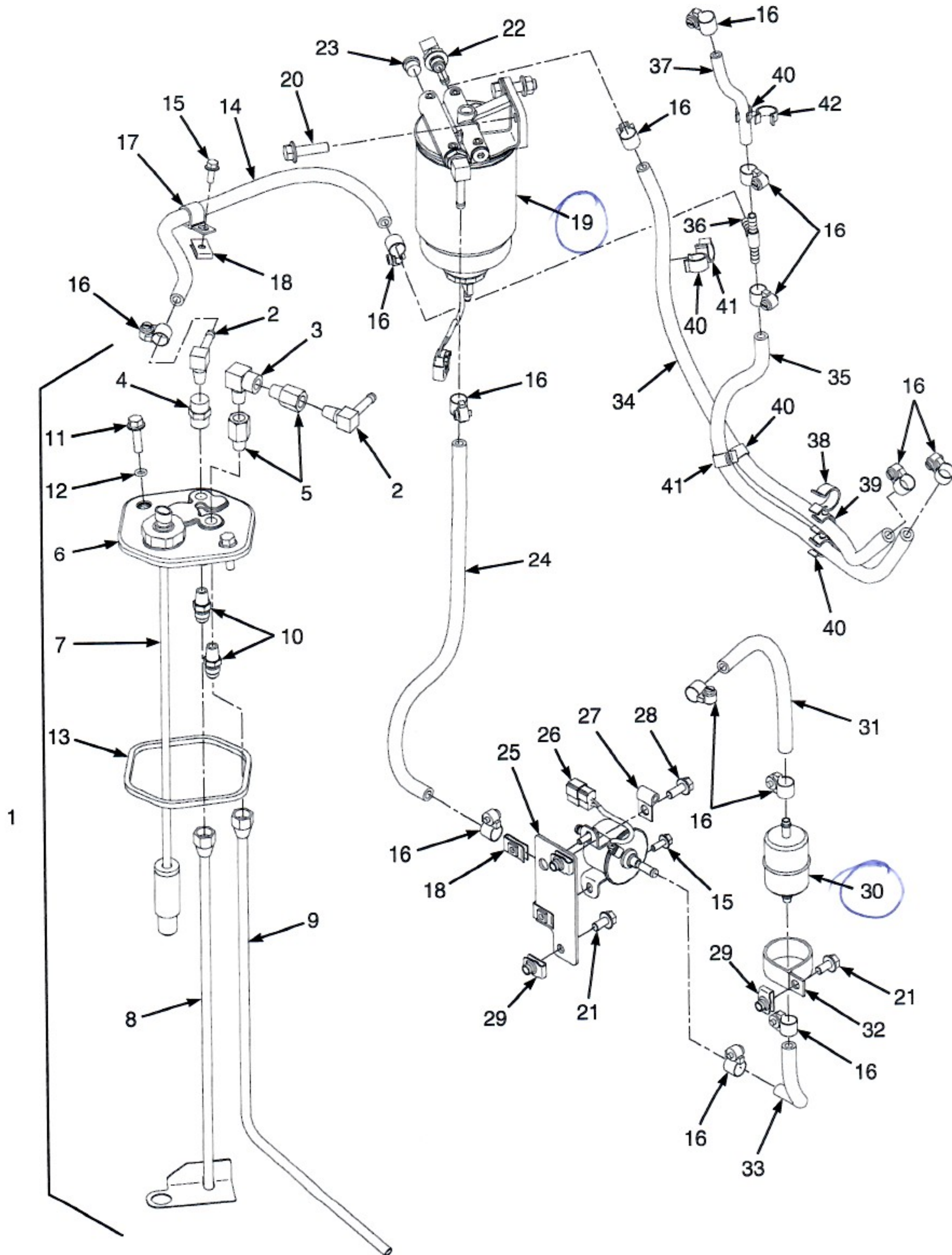
**KEY:**  
A: 3.6L  
B: 3.8L

ITEM	PART NO.	DESCRIPTION	QTY	
			A	B
	4623007	Air Filter .....	1	..
	4626440	Air Filter .....	..	1
1	141331	Cap .....	1	1
2	4068074	Filter Element (Primary) .....	1	1
3	4068075	Filter Element (Safety) .....	1	1
4	4072914	Cover .....	1	1
5	141331	Cap .....	1	1
6	.....	Body .....	1	1
7	4072921	U.L. Plate .....	1	..
7	4072917	U.L. Plate .....	..	1
8	4072919	Data Plate .....	1	..
8	4072916	Data Plate .....	..	1

**FUEL SYSTEM**  
**KUBOTA DIESEL – 3.8L**

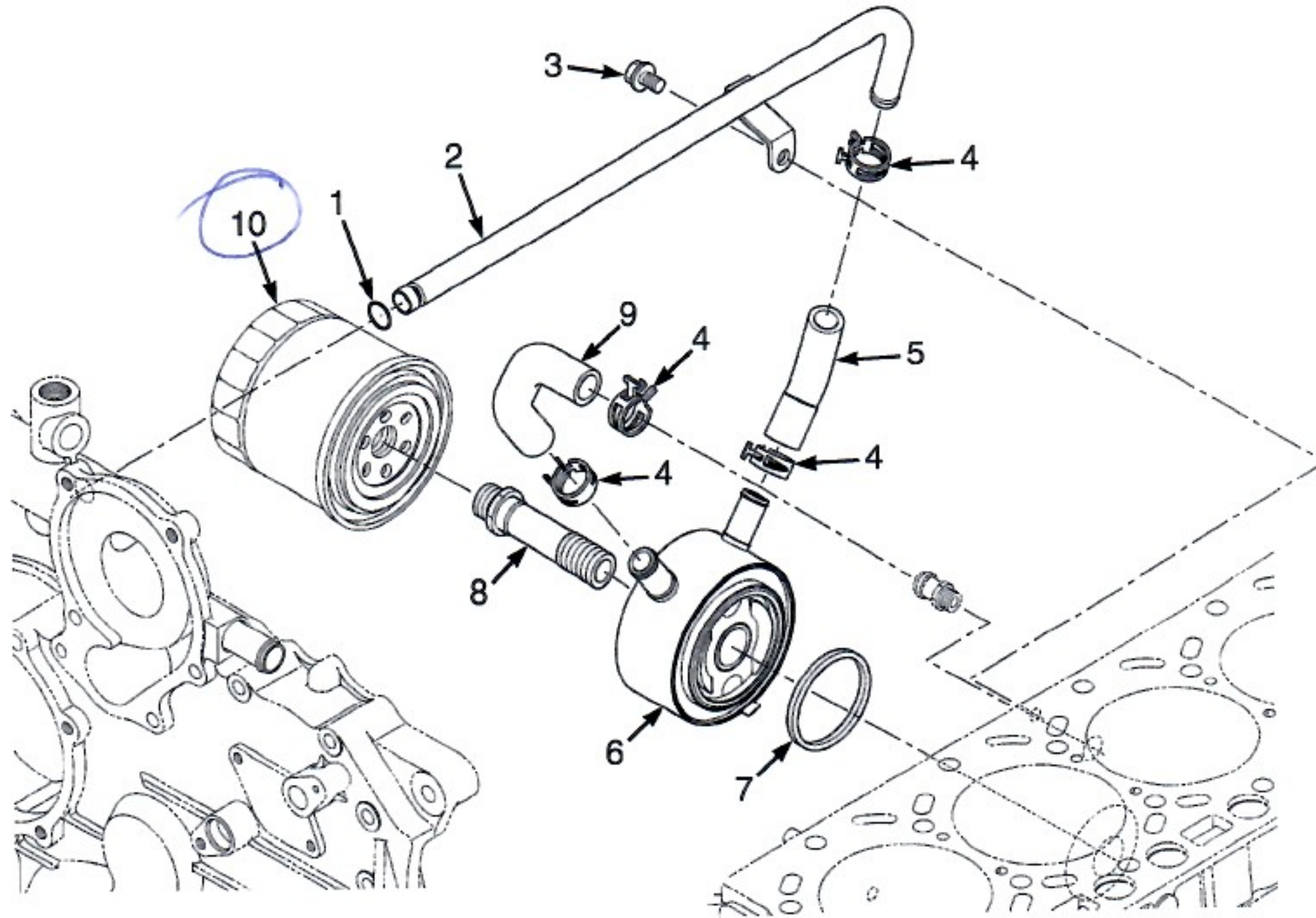
ITEM	PART NO.	DESCRIPTION	QTY
1	4054055	Fuel Sender .....	1
2	192306	Fitting .....	2
3	17314	Fitting .....	1
4	63163	Fitting .....	1
5	12855	Fitting .....	2
6	1584171	Cover .....	1
7	1371159	Fuel Sender .....	1
8	1571662	Tube .....	1
9	1638500	Tube .....	1
10	16134	Fitting .....	2
11	1527881	Capscrew .....	2
12	353000	O-Ring .....	2
13	1528893	Quad Ring .....	1
14	4620888	Hose .....	1
15	1527876	Capscrew .....	3
16	168718	Clamp .....	14
16	166857	Clamp (Optional) .....	14
17	209266	Clamp .....	1
18	1566420	Nut (Foldover) .....	3
19	4024527	Water Separator .....	1
19	4047982	Water Separator Mounting Head .....	1
19	4047983	Sensor Drain .....	1
19	4612789	Water Separator Fuel Filter .....	1
20	1527883	Capscrew .....	2
21	1527879	Capscrew .....	3
22	4026040	Fitting .....	2
23	222443	Fitting .....	2
24	4619264	Hose .....	1
25	4025710	Bracket .....	1
26	4032744	Lift Pump .....	1
27	124359	Clamp .....	1
28	1527880	Capscrew (Optional) .....	1
29	1480237	Nut .....	3
30	4617767	Fuel Filter .....	1
31	4620889	Hose .....	1
32	1316496	Clamp .....	1
33	274334	Hose .....	1
34	4619263	Hose .....	1
35	1378553	Hose .....	1
36	4032490	T-Fitting .....	1
37	225465	Hose .....	1
38	1543842	Clamp .....	1
39	1543691	Clamp (Swivel) .....	1
40	1543698	Clamp (Swivel) .....	4
41	1606544	Clamp (Swivel) .....	2
42	1502054	Clamp .....	1
43	a 89482	Fitting (Attaches to Item 4) .....	1
	2058000	Adhesive .....	AR

## FUEL SYSTEM (FIGURE 4-14) KUBOTA DIESEL — 3.8L



BP130405

**OIL COOLER (FIGURE 2-50)  
KUBOTA DIESEL — 3.8L**



BP090577

ITEM	PART NO.	DESCRIPTION	QTY
	4620483	Engine Assy-Diesel (3.8L) .....	1
1	4054786	O-Ring .....	1
2	4054785	Pipe (Oil Cooler) .....	1
3	4042035	Bolt .....	1
4	4042015	Hose Clamp .....	4
5	4054783	Hose .....	1
6	4054781	Oil Cooler .....	1
7	4041927	Gasket .....	1
8	4054784	Joint .....	1
9	4054782	Hose .....	1
10	4042216	Cartridge (Oil Filter) .....	1

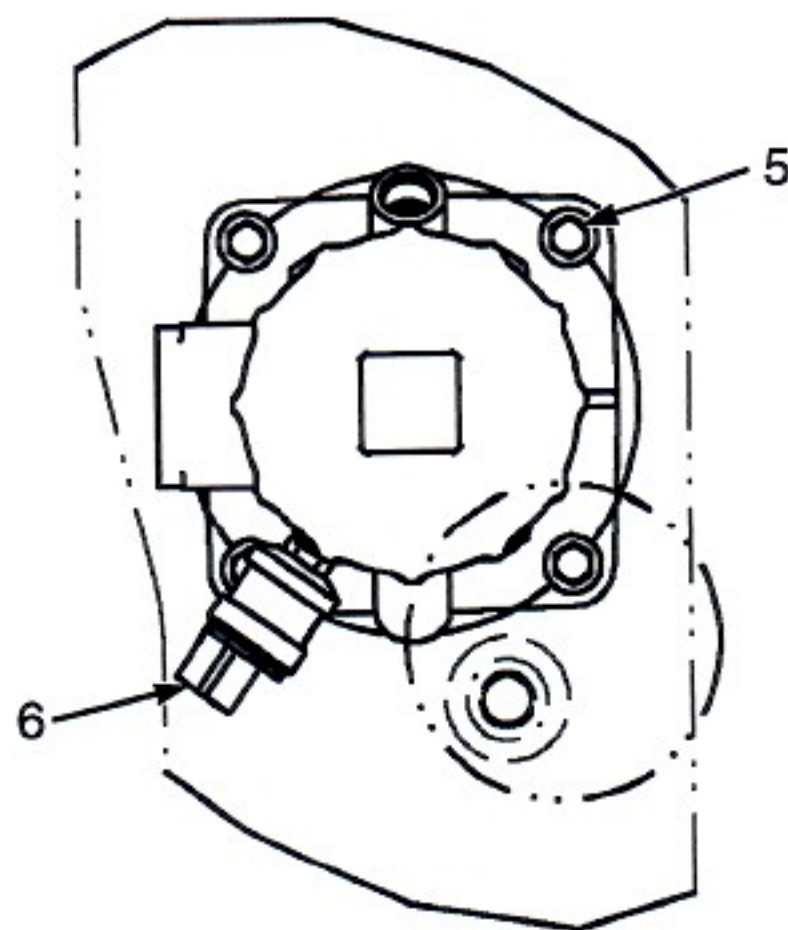
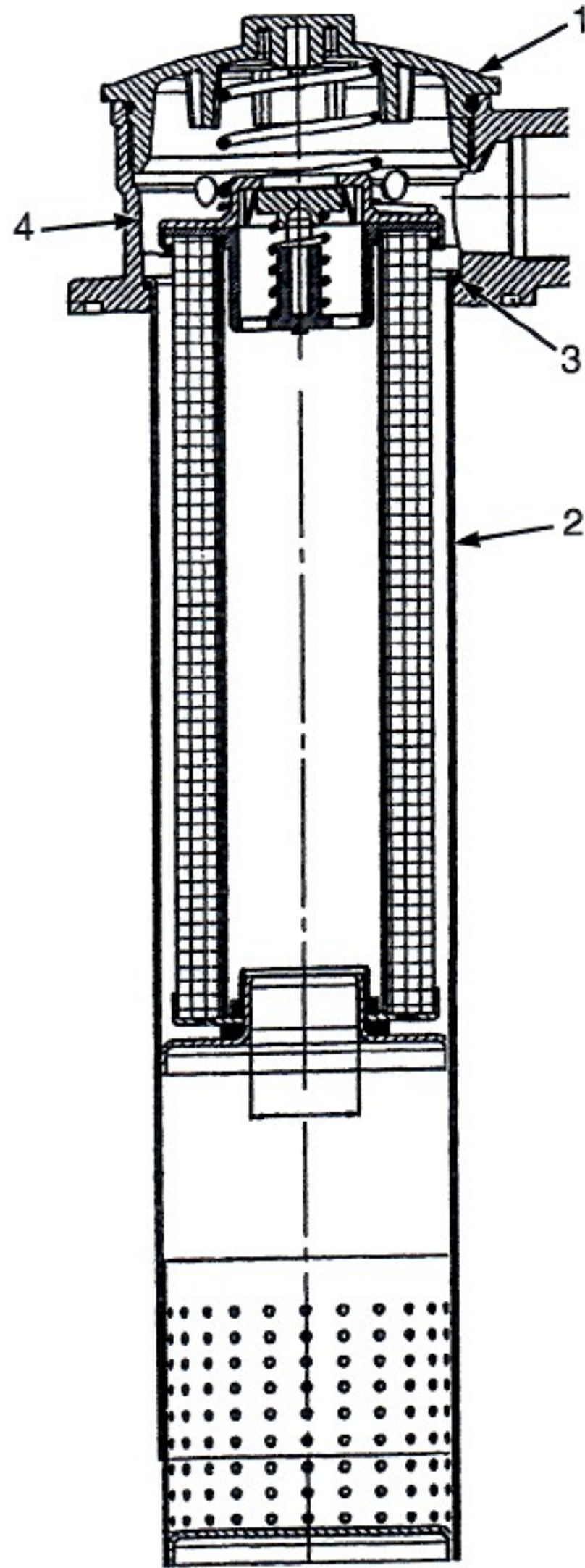
**HYDRAULIC FILTER**

ITEM	PART NO.	DESCRIPTION	QTY
	4001029	Hydraulic Filter .....	1
1	1708697	Cap .....	1
1	<b>a</b> .....	O-Ring .....	1
1	.....	Spring .....	1
2	<b>a</b> .....	Filter Element .....	1
2	.....	O-Ring .....	1
3	.....	Bowl Assembly .....	1
3	.....	O-Ring .....	1
4	.....	Head .....	1
4	.....	Quad Ring .....	1
4	14591	Plug .....	2
4	16481	O-Ring .....	1
5	1502543	Nut (Flange) .....	4
6	<b>b</b> 2068337	Pressure Switch .....	1
8	<u>1708691</u>	<u>Kit-O-Ring</u> .....	1
	<u>1707195</u>	<u>Kit-Filter Element and Cap Seal</u> .....	1

**FOOTNOTES:**

- a** Service with Kit 1707195 Filter Element and Cap Seal      **b** With Electronic Monitoring Package

**HYDRAULIC FILTER (FIGURE 10-6)**



BP150185



**HYDRAULIC SUPPLY AND RETURN**

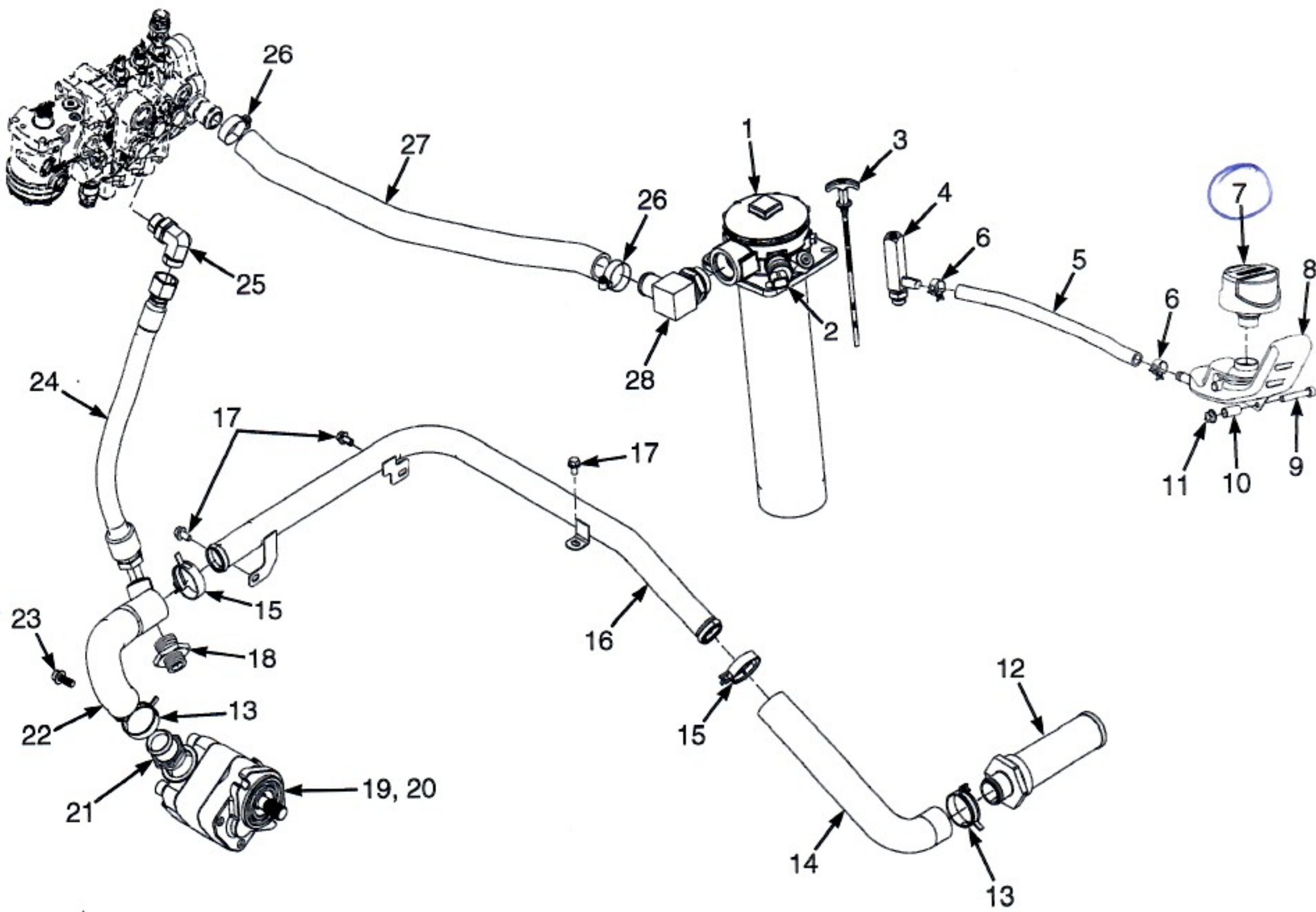
ITEM	PART NO.	DESCRIPTION	QTY
1	4001029	Hydraulic Filter (☞ Figure 10-6).....	1
2	2068337	Pressure Switch (With Electronic Monitoring Package) .....	1
3	2083335	Dipstick .....	1
4	1570264	Fitting .....	1
4	16484	O-Ring .....	1
5	4627552	Hose .....	1
5	78456	Hose (Optional) .....	1
6	1502007	Hose Clamp .....	2
7	1582161	Breather .....	1
7	16486	O-Ring .....	1
8	2081865	Surge Tank .....	1
9	296016	Capscrew .....	1
10	1617083	Spacer .....	1
11	1502543	Nut (Flange) .....	1
12	<b>bcd</b> 1617585	Strainer .....	1
12	<b>ac</b> 4604581	Strainer .....	1
12	18909	O-Ring .....	1
13	369804	Clamp .....	2
14	2079736	Hose (Tank Suction) .....	1
15	119236	Clamp .....	2
16	2098326	Tube .....	1
17	1527879	Capscrew .....	3
18	1473888	Fitting .....	1
18	280154	O-Ring .....	1
19	<b>a</b> 4633617	Gear Pump (41.3 cc) (☞ Figure 10-7).....	1
19	<b>abc</b> 4633618	Gear Pump (46.5 cc) (☞ Figure 10-7).....	1
19	<b>cd</b> 4633619	Gear Pump (51.6 cc) (☞ Figure 10-7).....	1
20	264159	Adhesive .....	1
21	1566890	Adapter .....	1
21	16983	O-Ring .....	1
22	2079735	Hose (Pump Section) .....	1
23	1564515	Capscrew .....	2
24	2088916	Hose Assy .....	1
25	1473898	Fitting .....	1
26	369804	Clamp .....	2
27	2105639	Hose Assy (Return Line) .....	1
28	1612214	Fitting .....	1

**FOOTNOTES:**

**a** H4.0FT5, H4.0FT6 Diesel Standard Displacement  
**b** H4.0FT5, H4.0FT6 LPG Standard Displacement

**c** H4.5FTS5, H4.5FT6, H5.0FT, H5.5T Diesel Standard Displacement  
**d** H4.5FTS5, H4.5FT6, H5.0FT, H5.5T LPG Standard Displacement

## HYDRAULIC SUPPLY AND RETURN (FIGURE 10-1)

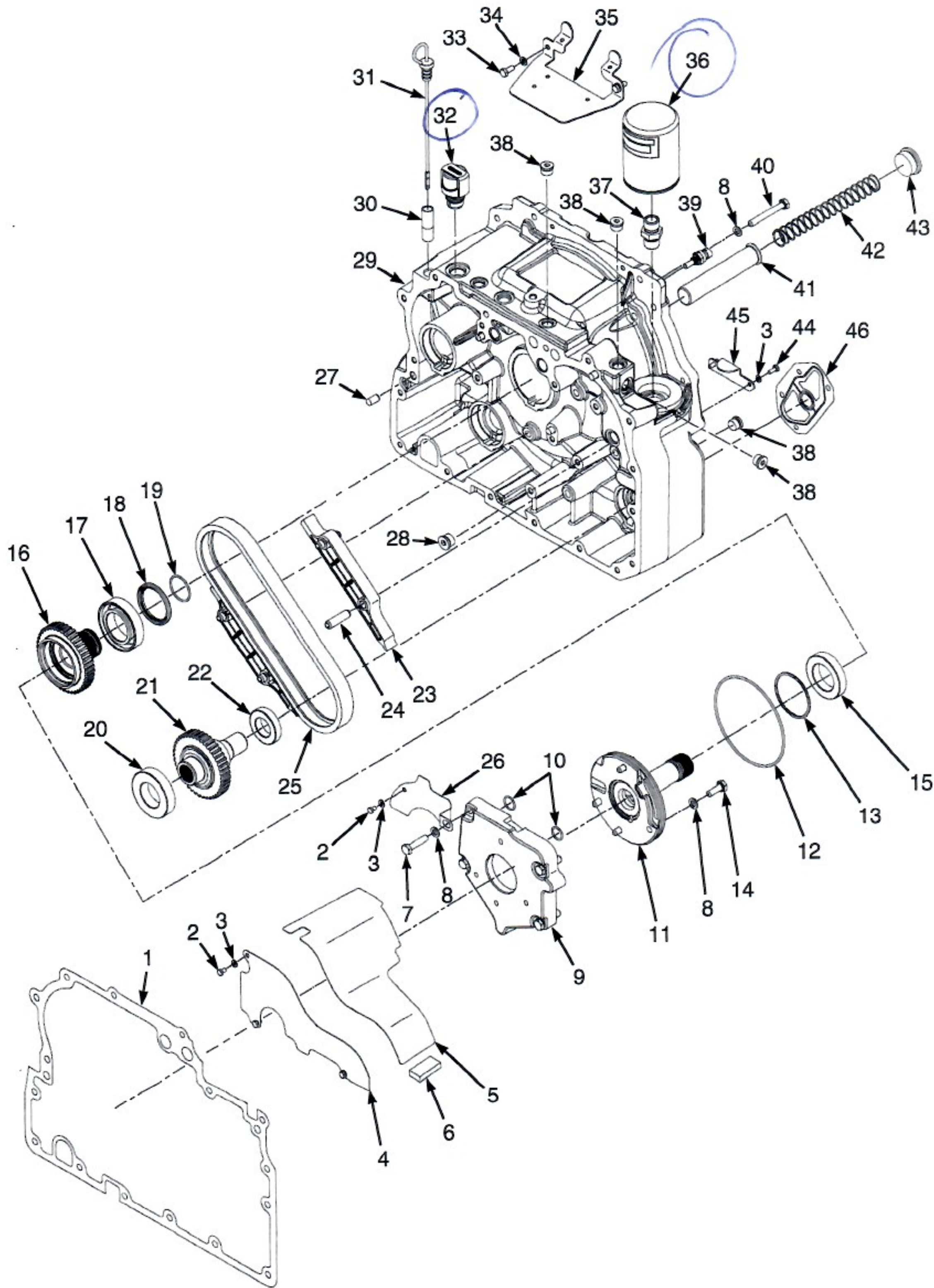


BP150499

**TRANSMISSION**  
**SINGLE SPEED – SHEET 3 OF 3**

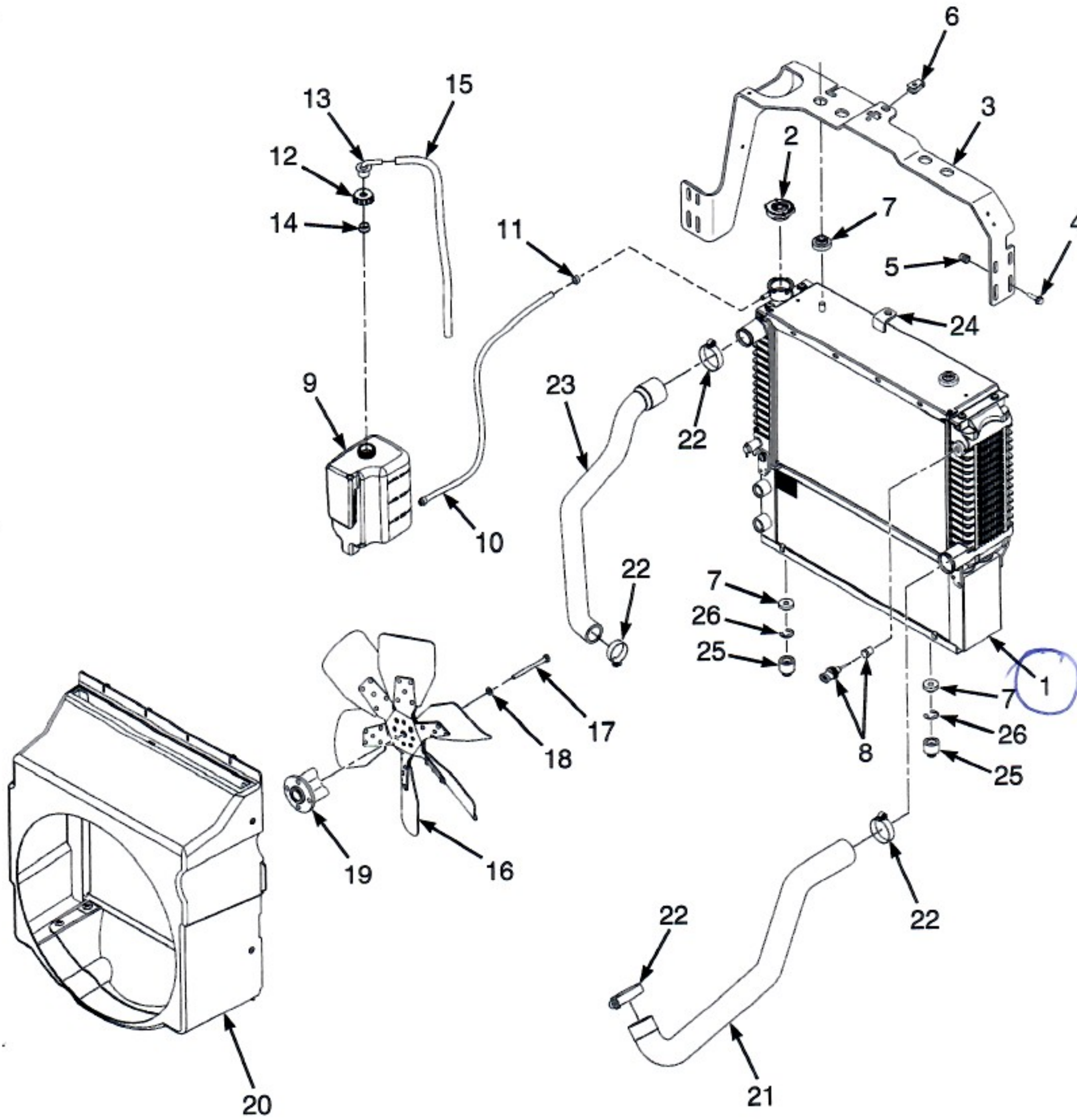
ITEM	PART NO.	DESCRIPTION	QTY.
	4103570	Transmission Assy (High Pressure) .....	1
1	1636640	Gasket .....	1
2	148962	Capscrew .....	4
3	292680	Washer .....	6
4	1627453	Shield (Lower) .....	1
5	1622887	Baffle .....	1
6	334560	Magnet .....	1
7	292516	Capscrew .....	4
8	292682	Lockwasher .....	10
9	1638799	Carrier .....	1
10	1553403	O-Ring .....	2
11	1525677	Stator .....	1
11	1525679	Support .....	1
11	1516826	Bushing .....	1
12	16682	O-Ring .....	1
13	1544218	Sealing Ring .....	1
14	136985	Capscrew .....	4
15	44310	Ball Bearing .....	1
16	1541556	Sprocket (Driving) .....	1
17	1544216	Bearing .....	1
18	1544217	Oil Seal (Torque Converter) .....	1
19	145481	O-Ring .....	1
20	43209	Ball Bearing .....	1
21	1529890	Sprocket (Driven) .....	1
22	44307	Ball Bearing .....	1
23	1615804	Snubber .....	2
24	303100	Roll Pin .....	4
25	1494750	Chain (Drive Pump) .....	1
26	1624408	Shield (Upper) .....	1
27	303150	Dowel .....	4
28	233693	Fitting .....	1
29	4043361	Housing .....	1
30	1624406	Dipstick Tube .....	1
31	4103560	Dipstick .....	1
32	1632741	Breather .....	1
33	136681	Capscrew .....	2
34	292681	Lockwasher .....	2
35	1699141	Cover Plate (Converter Housing) .....	1
36	4020588	Transmission Filter .....	1
37	1558515	Fitting .....	1
38	235691	Fitting .....	4
39	1515654	Temperature Sensor .....	1
40	292522	Capscrew .....	2
41	1627465	Screen .....	1
42	1550572	Spring .....	1
43	188210	Fitting .....	1
44	292500	Capscrew .....	2
45	1550567	Cover Plate .....	1
46	1653815	Gasket (Charge Pump) .....	1

## TRANSMISSION (FIGURE 6-7) SINGLE SPEED — SHEET 3 OF 3



BP240226

**COOLING (FIGURE 2-5)  
KUBOTA DIESEL — WITH EXTERNAL OIL COOLER**



BP060102

**COOLING**  
**KUBOTA DIESEL – WITH EXTERNAL OIL COOLER****KEY:****A: Short Wheelbase****B: Long Wheelbase**

ITEM	PART NO.	DESCRIPTION	QTY	
			A	B
1	4603551	Radiator (Assembly) .....	1	1
1	4038256	Radiator .....	1	1
1	4038262	Oil Cooler .....	1	1
1	4038264	Drain Valve .....	1	1
1	4038265	Nut , Foldover .....	2	2
1	4038266	Bolt (With Washer) .....	8	8
1	4038267	Bolt (With Washer) .....	4	4
2	178899	Radiator Cap .....	1	1
3	4000086	Bracket (Optional) .....	1	1
3	1699135	Bracket Widmt .....	1	1
4	1527881	Capscrew .....	4	..
4	1527881	Capscrew .....	..	5
5	1530243	Insert .....	4	..
5	1530243	Insert .....	..	5
6	1393879	Nut .....	1	1
7	1529787	Isolator .....	4	4
8	1531404	Sensor (Low Coolant Level) .....	1	1
8	14385	Fitting (Without Low Coolant Level Sensor) .....	1	1
9	1643342	Reservoir .....	1	1
10	1581024	Hose .....	1	1
11	369815	Clamp .....	2	2
12	.....	Outlet Assembly .....	1	1
12	345454	Cap .....	1	1
13	345453	Outlet (Reservoir) .....	1	1
13	4127425	Seal .....	1	1
14	336550	Bushing .....	1	1
15	1663877	Hose .....	1	1
16	4634121	Fan (with Scalloped Blades) .....	1	1
17	293622	Capscrew .....	4	4
18	296418	Washer .....	4	4
19	4042107	Collar .....	1	1
20	4612849	Shroud (Upper) (☞Figure 2-7, ☞Figure 2-8).....	1	..
20	4612850	Shroud (Lower) (☞Figure 2-7).....	1	..
20	4066325	Shroud (☞Figure 2-9).....	..	1
21	4625947	Radiator Hose (Lower) .....	..	1
22	119236	Clamp .....	4	4
23	4625946	Radiator Hose (Upper) .....	1	1
24	4066321	Bracket (Offset) .....	..	1
25	4067335	Spacer .....	..	2
26	2076760	Retainer .....	..	2
	246108	Sealant .....	AR	AR